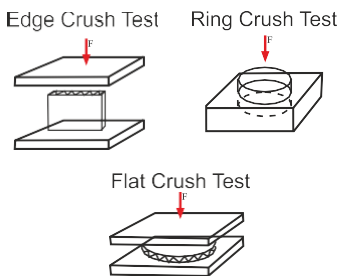
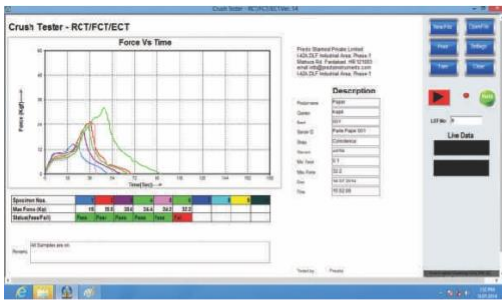




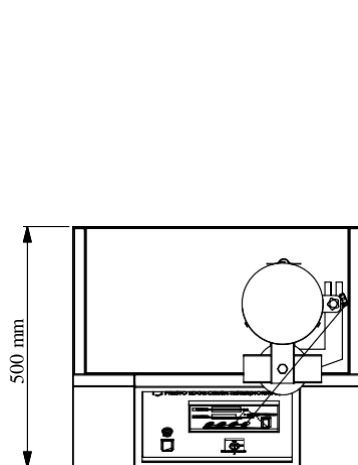
RCT/FCT/EDGE Crush Tester - Digital Cum Computerised - Wintest



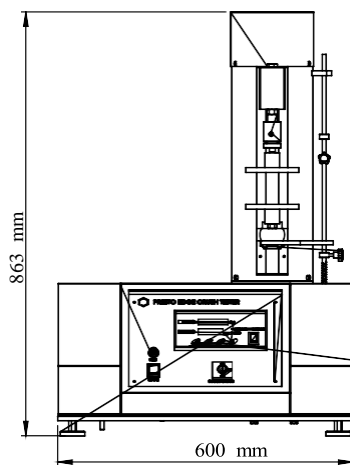
Model No. PCT-100 (C) (Wintest)

RCT/FCT/Edge Crush Tester is a consistent tool to measure the crush strength of cardboard boxes and packaging containers.

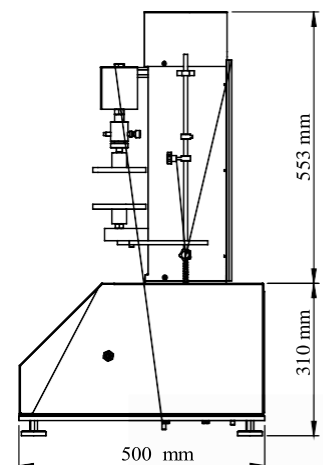
PRESTO RCT/FCT/Edge Crush Tester is manufactured under Test Standard IS 7063.



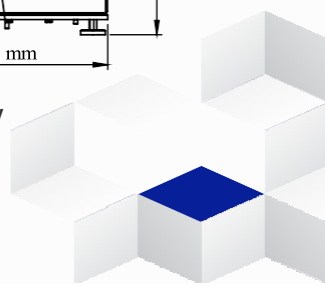
Top View



Front View



Side View





Presto Stantest Pvt. Ltd.

I-42, DLF Industrial Area Phase-1, Delhi Mathura Road, Faridabad 121003, Haryana, India
P : 9210 903 903, +91 129 4272727, 93111 24302 E : info@prestogroup.com

• Kolkata • Mumbai • Pune • Ahmedabad • Chennai
• Bangalore • Hyderabad



www.prestogroup.com

Available in Digital model (with and without printer facility) also.

- Microprocessor based display for accurate test results
- Display for compression strength of test specimen
- Separate fixtures for ring crush, edge crush and flat crush test.
- Highly accurate test results under compression force
- Strong gripping clamps.
- Bright LED display
- Inbuilt calibration facility
- Feather touch controls
- Graph test report is Force Vs Time
- 10 Sample test reports can be seen on one report
- Email facility of report
- Report Available in PDF format
- Pass/Fail Criteria can be programmed
- Easy Data Management. User can create product identification, test details etc.
- Inbuilt hardware/software CD

** Computer & Printer not a part of the offer

RCT/FCT/Edge Crush Tester reveals the crushing resistance in terms of Kg/Unit length.

Optional Features:

Digital model (with or without printer facility) also available

The Ring Crush, Edge Crush, Flat Crush Strength tester measures the rigidity of CFB on edgewise.

Key Specifications :

Load Cell Capacity	250 Kgf
Display	• LED (Digital) • Graphical
Accuracy	±2% at full load (with master load)
Least Count/Resolution	0.1 Kgf
Power	220V, Single phase, 50 Hz
Test Speed	12.5± 2.5 mm/min

Highlights :

Safety Switch	Upward & Downward Limit Switches
Material	Mild Steel
Finish	Powder coated Havel Gray & Blue combination finish and bright chrome / zinc plating for corrosion resistant finish
Dimensions	600x500x863 mm

Thank you customers for choosing us as your partners in growth !



*All the above logos are the sole property of their respective owners and are used purely for depiction purposes only.

OUR OTHER PRODUCTS :-

Box Compression Tester	Scuff Resistance Tester	Tensile Tester Digital	Spectrocolorimeter	Cobb Sizing Tester	Digital GSM Balance

Head Office :

Presto Stantest Private Limited

I-42, DLF Industrial Area Phase-1, Delhi Mathura Road, Faridabad 121003, Haryana, India
P : +91 129 4272727 (100 Lines) E : info@prestogroup.com

P • Kolkata • Mumbai • Pune • Ahmedabad • Chennai • Bangalore

www.prestogroup.com

